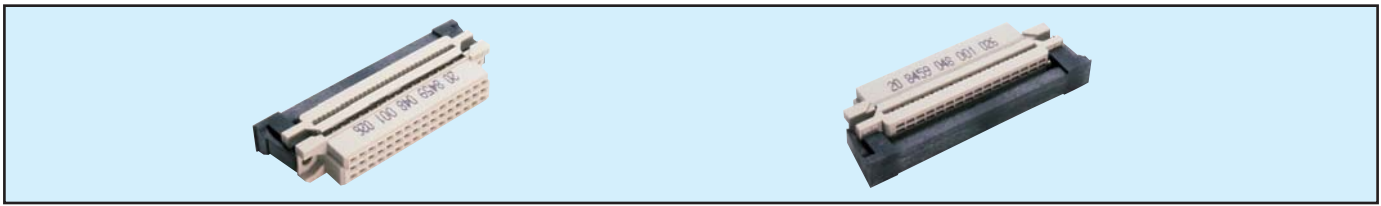


# Female Style 1/2 C IDC

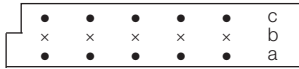


Series 8459 – 3 rows (3 x 16)



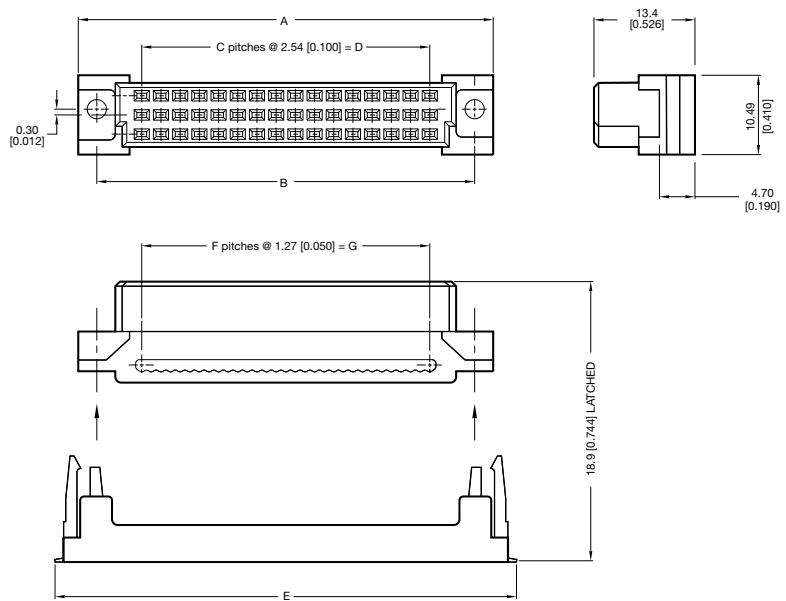
Variation	Number of Contacts Cavities	Loading Description	Part Number Performance classes according to DIN 41612	
			II	I
With strain relief	48	a + c fully loaded	20 8459 048 001 026	20 8459 048 001 050
Without strain relief	48	a + c fully loaded	20 8459 048 002 026	20 8459 048 002 050

## LOADING DESCRIPTION



48 contacts, rows a + c fully loaded

## DIMENSIONS

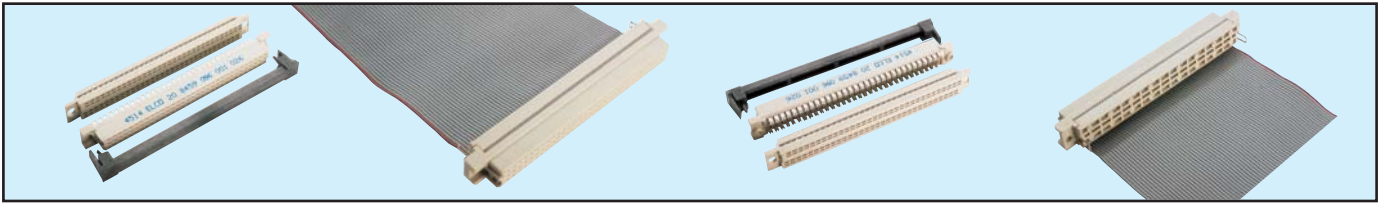


Unit: millimeters (inches)

No. Contact Positions	Contact Rows	A	B	C	D	F	G	H
48	3 (3 x 16)	54.90 (2.161)	50.00 (1.968)	15.00 (0.591)	38.10 (1.500)	60.00 (2.362)	31.00 (1.220)	39.37 (1.550)

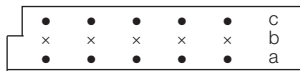
# Female Style C IDC

Series 8459 – 3 rows (3 x 32)



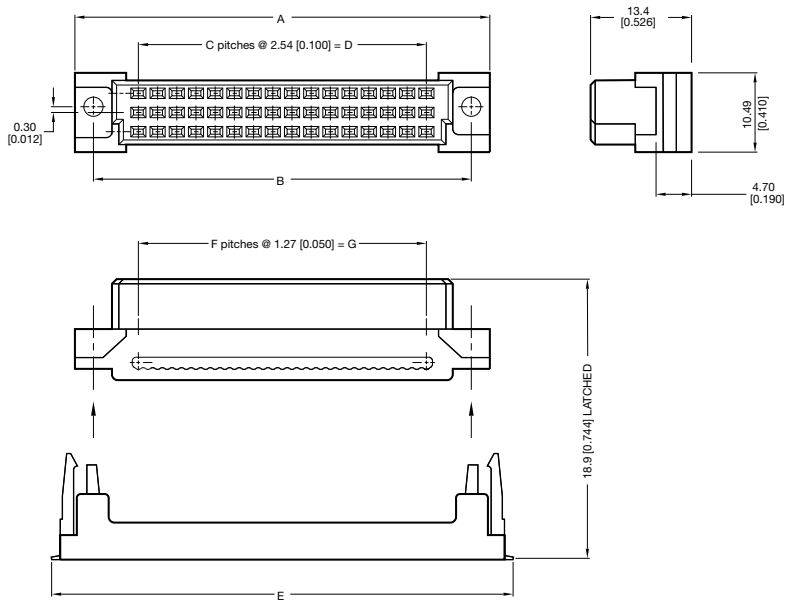
Variation	Number of Contacts Cavities	Loading Description	Part Number Performance classes according to DIN 41612	
			II	I
With strain relief	96	a + c fully loaded	20 8459 096 001 026	20 8459 096 001 050
Without strain relief	96	a + c fully loaded	20 8459 096 002 026	20 8459 096 002 050

## LOADING DESCRIPTION



96 contacts, rows a + c fully loaded

## DIMENSIONS



Note: Cable Pitch 1.27mm (0.050)

Unit: millimeters (inches)

No. Contact Positions	Contact Rows	A	B	C	D	F	G	H
96	3 (3 x 32)	94.90 (3.736)	90.00 (3.543)	31.00 (1.220)	78.74 (3.100)	100.00 (3.937)	63.00 (2.480)	80.01 (3.150)